

# INSTANT-FLOW<sup>®</sup> MICRO - LOW FLOW

**APPLICATION:** commercial, industrial, residential, public lavatories, kitchen/bar sink

## PRODUCT FEATURES

- Uses a digital microprocessor for temperature control  
Ultra quick response times for temperature variations - 120 times per second. Microprocessor use is the most energy efficient means of heating water
- Unlimited hot water
- Ideal for sensor /hands-free faucets with the 104°F factory preset setting; no mixing valve needed
- Saves water and energy - 99% energy efficient
- Meet all CAL GREEN low flow requirements
- Vandal resistant rugged cast aluminum housing
- Space saving compact size:  
6-1/4" (H) x 9-5/8" x 2-3/4"
- Meets applicable building codes including ADA, UL, IAPMO, UPC.
- Environmentally friendly
- Made in the U.S.A.

Chronomite Instant-Flow<sup>®</sup> Micro - Low Flow models are manufactured to provide reliable point-of-use hot water. There is no pressure and temperature relief valve needed (unless required by code), saving time and money on installation.

**Housing** is fabricated from rugged cast aluminum alloy.

**Element assembly** is fabricated from Celcon plastic.

**Heating coils** are nichrome.

**Faucet flow controls and compression fittings** are supplied with each unit.



Member of  
U.S. Green  
Building Council



Water  
Conserving  
Product



Made in  
the USA

**For the model being selected, please place the corresponding amps and volts values in the Guide Specifications to the right.**



## GUIDE SPECIFICATION

Tankless Water Heater shall be a Chronomite Laboratories Model

**M** -  **L** /   
x 100 WATTS      VOLTS       **OPTIONS**

with  Amps and  Volts

to heat to a preset temperature of:

- 104°F
- 110°F (Meets ADA)
- Other temperature settings available upon request (specify below)
- 120°F (Meets health code)

Unit shall be provided with Celcon waterways, and Nichrome heating coils.

Temperature controlled by microprocessor.

### OPTIONS

- PA 765 ABS Housing (P)
- Satin Finish Stainless Steel Housing (SS)
- High Polish Finish Stainless Steel (SSP)
- Pressure & Temp Relief Valve Assembly (TP)

| MODEL       | AMPS | VOLTS | WATTS | ACTIVATION GPM | TEMP RISE @ 0.80 GPM | TEMP RISE @ 1.00 GPM | TEMP RISE @ 1.20 GPM |
|-------------|------|-------|-------|----------------|----------------------|----------------------|----------------------|
| M-15L / 277 | 15   | 277   | 4150  | 0.35           | 35                   | 28                   | 24                   |
| M-20L / 120 | 20   | 120   | 2400  | 0.35           | 20                   | -                    | -                    |
| M-20L / 208 | 20   | 208   | 4160  | 0.35           | 36                   | 28                   | 24                   |
| M-20L / 240 | 20   | 240   | 4800  | 0.35           | 41                   | 33                   | 27                   |
| M-20L / 277 | 20   | 277   | 5540  | 0.35           | 47                   | 38                   | 32                   |
| M-30L / 120 | 30   | 120   | 3600  | 0.35           | 31                   | 25                   | 20                   |
| M-30L / 208 | 30   | 208   | 6240  | 0.35           | 53                   | 43                   | 36                   |
| M-30L / 240 | 30   | 240   | 7200  | 0.35           | 61                   | 49                   | 41                   |
| M-30L / 277 | 30   | 277   | 8320  | 0.35           | 71                   | 57                   | 47                   |
| M-40L / 208 | 40   | 208   | 8320  | 0.35           | 71                   | 57                   | 47                   |
| M-40L / 240 | 40   | 240   | 9600  | 0.35           | 82                   | 66                   | 55                   |
| M-40L / 277 | 40   | 277   | 11080 | 0.35           | 95                   | 76                   | 63                   |

Complies with Standards for:



Federal Public Law 111-380 (No Lead)

CALGreen

**CHRONOMITE LABORATORIES, INC.**  
17451 Hurley St. :: City of Industry, CA 91744  
Phone 800-447-4962 :: 626-937-4270  
Fax 626-937-4279 :: www.chronomite.com

MEMBER OF



# INSTANT-FLOW<sup>®</sup> MICRO - LOW FLOW

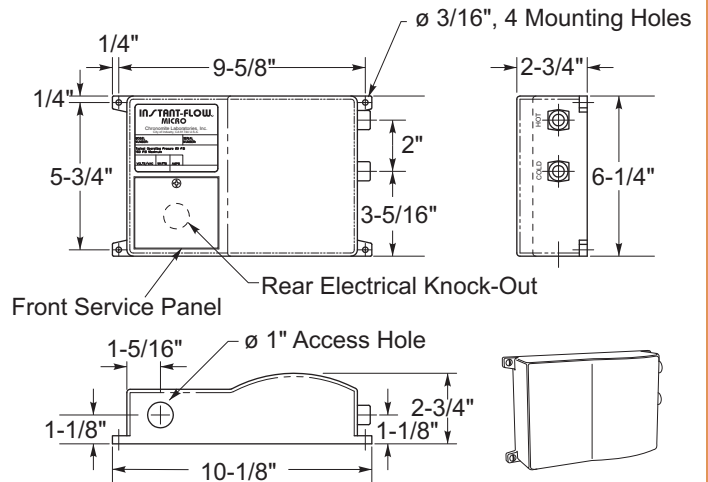
## TECHNICAL DIMENSIONS

### INSTANT-FLOW<sup>®</sup> MICRO - LOW FLOW

|                                |  |
|--------------------------------|--|
| Dimensions:                    | 6-1/4" (H) x 9-5/8" x 2-3/4"   |
| Weight:                        | 5 lbs.   |
| Materials:                     | Rugged cast aluminum housing<br>Celcon plastic element assembly<br>with nichrome coils |
| Housing Color:                 | White  |
| Minimum Operating Flow Rate:   | 0.35 GPM   |
| Minimum Operating Pressure:    | 25 PSI   |
| Maximum Operating Pressure:    | 150 PSI  |
| Maximum Operating Temperature: | 140°F  |
| Listing:                       | UL, IAPMO, UPC, ADA  |

#### GENERAL NOTES:

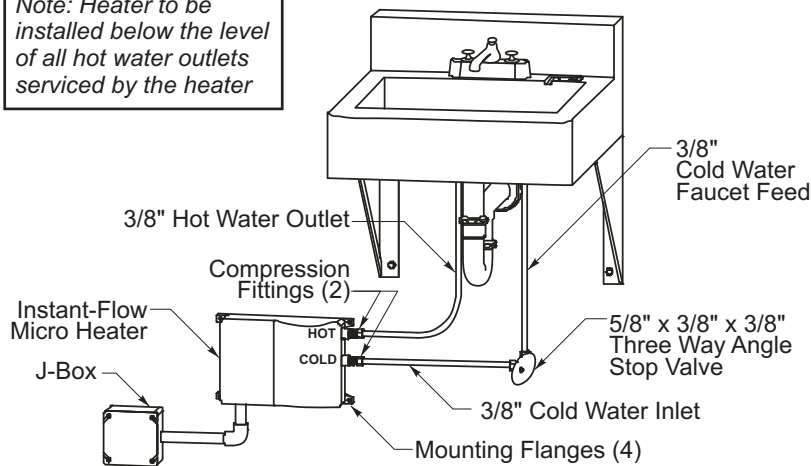
- The microprocessor adjusts the heater's power for variations in flow rates, inlet water temperature and pressure to assure the selected factory preset water temperature.
- 240V models when operated at 220V will have approximately a 15% wattage decrease.
- 120V models when operated 110V will have approximately a 15% wattage decrease.



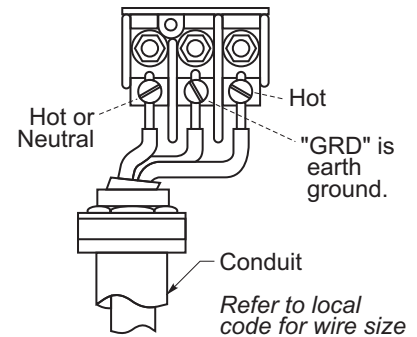
- Instant-Flow Micro is ideal for sensor/hands-free faucets with the 104°F factory preset setting temperature ; no mixing valve needed
- Factory setting of 110°F or above require cold water mixing at the hand wash faucet.
- Microprocessor limits temperature increase according to the pre-selected temperature.

## INSTALLATION DIAGRAM

Note: Heater to be installed below the level of all hot water outlets serviced by the heater



## WIRING CONNECTION



**ATTENTION:**  
Unit must be hard wired.  
NOTE: Heaters are single phase.  
All tests are measured at the output of the heater.

Chronomite Laboratories assumes no responsibility for use of void or suspended data. © Copyright Chronomite Laboratories, Inc. Member of Morris Group International, City of Industry, CA Please visit [www.chronomite.com](http://www.chronomite.com) for most current specifications.

SELECTION SUMMARY & APPROVAL FOR MANUFACTURING

Company \_\_\_\_\_

Model Number & Options \_\_\_\_\_ Quantity \_\_\_\_\_

Contact \_\_\_\_\_ Title \_\_\_\_\_

Signature (Approval for Manufacturing) \_\_\_\_\_ Date \_\_\_\_\_

**CHRONOMITE**  
LABORATORIES, INC.

PH. 800-447-4962

626-937-4270

FAX 626-937-4279

[www.chronomite.com](http://www.chronomite.com)