

Eemax Electric Tankless Water Heater - Customer Sign-off

To confirm configuration for SpecAdvantage and SafeAdvantage PhD three phase products for commercial and industrial applications.

Sold by
www.GadgetsGo.com
Authorized Dealer

If you need assistance please contact Eemax Inc @ 1-800-543-6163

Rev. June 2015

Purchase Order Date: _____
 Customer on record: _____
 Customer Purchase Order Number: _____
 Project Name and location: _____
 Project Contractor: _____
 Model Number and quantity on order: _____

PLEASE INITIAL EACH BOXED SECTION & SIGN BOTTOM OF EACH PAGE

Electrical installation requirements and considerations

- Installation and service is to be performed by a licensed electrician or qualified serviceman.
- Use copper conductors only
- In accordance with NEC guidelines Eemax models are designed for a maximum 3 hour continuous duty cycle at 100% power output. Please contact Eemax for clarification or higher demand/duty cycle.

Voltage

208V Three Phase Delta	480V Three Phase Delta	600V Three Phase Delta

Kilowatt (kW) Output

32	36	39	41	48	54	63	64	72	96	108	126	130	144	150

Plumbing installation requirements and installation considerations

Recommended piping schematic on page 2

- This heater must be installed in a location where it is not subject to freezing temperatures.
- Use Water Hammer Arresters and Pressure Regulating Valves to maintain acceptable system pressures, neglecting to do so may damage the heater and void the warranty.
- Use appropriate water conditioning to prevent water hardness in excess of 10 grains per gallon. Water pH level should range between 6.5 – 7.5 neglecting to do so may damage the heater and void the warranty.

Output Temperature

Do not select output temp higher than needed. Specific settings may be available.

90°F (EE/EFD) Safety (tepid water)	120°F (max allowable for 1.0 GPM turn-on)	140°F (standard)	180°F (sanitation)	Other (specific temp and turn-on)

Print Name: _____ Signature: _____
 Title & Company: _____ Date: _____

Cabinet Selection

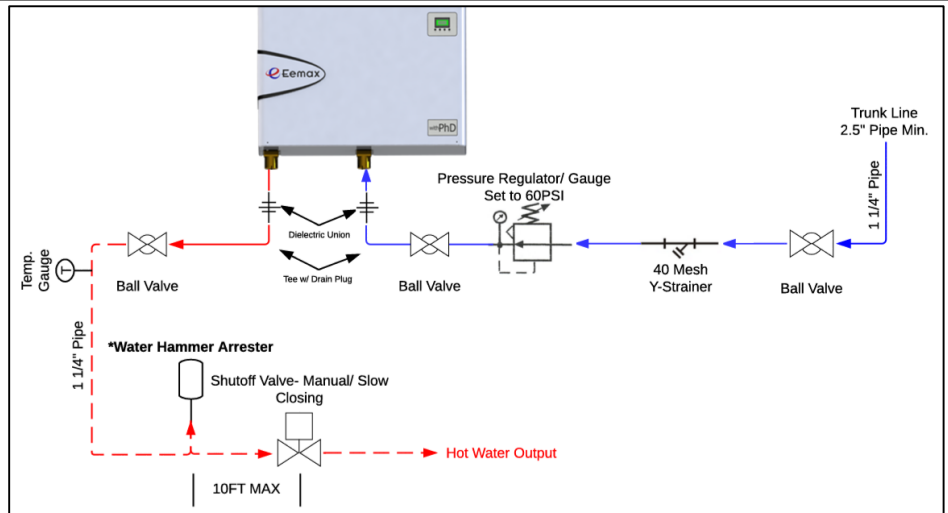
STD non-waterproof sheet metal cover	NEMA 4 (powder coat gray)	NEMA 4X (304SS)	NEMA 4X6 (316SS)

NEMA Cabinet Options

FP freeze protection	EDS non-fused electrical disconnect	FDS fused electrical disconnect	EP explosion proof C1D2 – purge and pressurize controller	GFCI ground fault circuit interrupter	SK stand kit for freestanding install	RD remote display external to cabinet	SB siren and beacon

- Ensure all penetrations to the enclosure are done in such a manner not to impede the NEMA rating.
- Units supplied with freeze protection: Power must be applied to for the enclosure heater to operate.
- Explosion proof systems are compliant to Class 1 Division 2 using a class Z purge and pressurize system with a pressure switch and must be certified by a local authority.

Recommended Piping Schematic



SCHEMATIC IS FOR GENERAL REFERENCE ONLY. EEMAX IS NOT HELD LIABLE FOR FINAL DESIGN, INSTALLATION, OR OPERATION. PLEASE CHECK ALL APPLICABLE PLUMBING AND ELECTRICAL CODES.

Water Hammer Arrester Sizing Chart*:

Pipe Length (trunk line to outlet)	Water Hammer Arrester Size
0-15'	B
15-30'	C
30-50'	D
50-75'	E
75-90'	F
90'+	Contact arrester manufacturer

System Criteria:
 Max flow rate less than or equal to 30 GPM
 Valve closing time greater than or equal to 0.2 seconds (includes ball valve, spray nozzles, shower valve, etc)
 Inlet pressure less than or equal to 60 PSI
 Pipe ID greater than or equal to 1.25 in

*Check arrester manufacturer's recommendations for proper size and location of arresters. Improperly installed or undersized arrester can cause serious damage to plumbing system/heater.

These units are custom made. Upon return of this sign off form, order is NON-CANCELLABLE and the items are NON REFUNDABLE and NON RETURNABLE. Orders will not be released to production until sign off is returned.

Please sign below as acceptance of these terms conditions and installation requirements.

Return via fax to (203)267-7975 or email to info@eemaxinc.com to authorize production.

Print Name: _____ Signature: _____

Title & Company: _____ Date: _____