

Series Two, Residential/Commercial "TC"

Staged models (Two heating modules) with thermostatic control

Specifications

Electric Tankless Hot Water Heater

Applications

- Single or Multi fixture
- Residential showers
- Commercial/Industrial
- Photo processing
- Adjustable, precise temperature setting +/-1°F (ambient up to 180°F)
- Solar backup with FS option

Performance Features

- Turns on in stages based on hot water demand
Min. flow 0.7 GPM, max. flow 3 GPM (ML units turn on 0.3 GPM - 110°F max.)
- On demand hot water
- Continuous hot water. No storage capacity to run out
- Reduces installation cost and material. No T&P relief valve needed (check local codes) or venting
- Easy installation with integral 3/4" NPT fittings
- Cut energy waste. Flow switch activates heater only on demand (no standby heat loss)
- Reduces calcification
- Two glass-fiber reinforced heater bodies and Ni Chrome elements – a unique, patented flow path ensures optimum heat transfer and extended element life
- Warranty – Five (5) years leaks and one (1) year on parts.
Field serviceable replaceable cartridge element, one (1) year
- Unit mounts on wall
- High temperature limit switch

Optional Features

- Factory set ambient to 180°F (FS)
- Multi lavs 0.3 turn on. Staged up to 4 lavs 105°F-110°F temp setting (ML)
- Sanitation 180°F (S)
- N4, N4X (304SS) enclosures

Product Specifications

Dimensions	10" x 10.5" x 3"
Weight	10.5 lbs.
Cover	Enameled steel
Color	White
Element	Dual replacement cartridge inserts Thermostatic control (+/-1°F) accuracy
Pipe-Fittings	3/4" NPT fittings at bottom of unit.
Operating Pressure	Min. 40 PSI, max. 150 PSI
UL Listing	E86887

U.S. Patent #'s: 4,762,980 and 4,960,976

Special Design Service

Inquiries for units for unique applications are welcome.
Call our Technical Service department at **1-800-543-6163**.



The wetted surface of this product contacted by water contains less than 0.25% lead and meets ANSI/NSF 372



Suggested Specification

Tankless water heater shall be an Eemax Series Two model number EX_____.

Heater shall have two heating modules. Element shall be replaceable cartridge insert. Unit shall have a replaceable filter in the inlet connector. Heater shall be fitted with 3/4" NPT water connections. Maximum operating pressure of 150 PSI. Hot water storage tanks prohibited. Unit shall be Eemax or approved equal.

NOTE: Refer to rating chart for product information.

Enclosure to be fitted with the following features:

- ___ **FS** Factory set ambient to 180°F
- ___ **ML** Multi lavs 0.3 turn on. Staged up to 4 lavs 110°F temp setting
- ___ **S** Sanitation 180°F
- ___ **N4** NEMA 4 waterproof cabinet w/powder coat finish
- ___ **N4X** NEMA 4 stainless steel waterproof corrosion-resistant cabinet

Series Two, Residential/Commercial "TC"

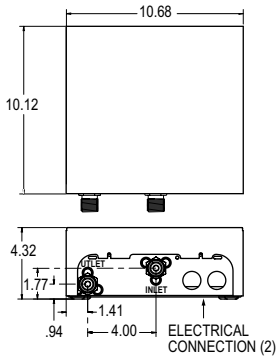
Staged models (Two heating modules) with thermostatic control

Specifications

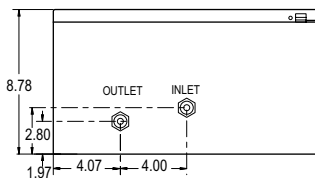
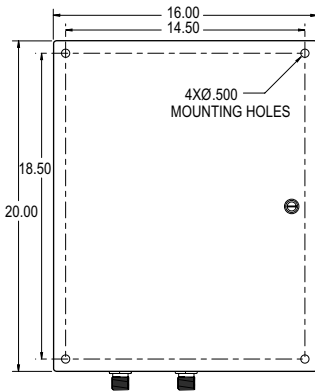
Electric Tankless Hot Water Heater

Suffix Definitions

- FS** Factory set ambient to 180°F
- ML** Multi lavs 0.3 turn on. Staged up to 4 lavs 105°F-110°F temp setting
- S** Sanitation 180°F



NEMA 4/4X



MODEL NUMBER	kW	AMPS	RECOMMENDED WIRE SIZE (CU)	MIN. FLOW (GPM)	TEMPERATURE RISE °F			
					1.5 GPM	2.0 GPM	2.5 GPM	3.0 GPM
VOLTS 240*								
C EX144TC	15kW	64(2x32)A	8 AWG per module	0.7	68°	51°	41°	34°
C EX144TC (derated 208V performance)	11.2kW	54(2x27)A	*	0.7	51°	38°	31°	26°
C EX144TC S	15kW	64(2x32)A	8 AWG per module	0.7	68°	51°	41°	34°
C EX144TC ML	15kW	64(2x32)A	8 AWG per module	0.3	68°	51°	41°	34°
C EX144TC FS	15kW	64(2x32)A	8 AWG per module	0.7	68°	51°	41°	34°
C EX190TC	19kW	80(2x40)A	8 AWG per module	0.7	87°	65°	52°	43°
C EX190TC (derated 208V performance)	14kW	68(2x34)A	*	0.7	64°	48°	38°	32°
C EX190TC S	19kW	80(2x40)A	8 AWG per module	0.7	87°	65°	52°	43°
C EX190TC FS	19kW	80(2x40)A	8 AWG per module	0.7	87°	65°	52°	43°
C EX190TC ML	19kW	80(2x40)A	8 AWG per module	0.3	87°	65°	52°	43°
EX023240TC	23kW	96(2x48)A	6 AWG per module	0.7	+	79°	62°	52°
EX023240TC (derated 208V performance)	17.3kW	83(2x50)A	*	0.7	+	59°	47°	39°
EX023240TC S	23kW	96(2x48)A	6 AWG per module	0.7	+	79°	62°	52°
EX023240TC FS	23kW	96(2x48)A	6 AWG per module	0.7	+	79°	62°	52°
EX023240TC ML	23kW	96(2x48)A	6 AWG per module	0.3	+	79°	62°	52°
VOLTS 208 Single Phase								
C EX1608TC S	16.6kW	80(2x40)A	8 AWG per module	0.7	75°	57°	45°	38°
C EX1608TC FS	16.6kW	80(2x40)A	8 AWG per module	0.7	75°	57°	45°	38°
C EX1608TC ML	16.6kW	80(2x40)A	8 AWG per module	0.3	75°	57°	45°	38°
VOLTS 277								
EX160TC	16kW	58(2x29)A	10 AWG per module	0.7	73°	55°	44°	36°
EX160TC S	16kW	58(2x29)A	10 AWG per module	0.7	73°	55°	44°	36°
EX160TC FS	16kW	58(2x29)A	10 AWG per module	0.7	73°	55°	44°	36°
EX160TC ML	16kW	58(2x29)A	10 AWG per module	0.3	73°	55°	44°	36°
EX200TC	20kW	72(2x36)A	8 AWG per module	0.7	+	68°	54°	46°
EX200TC S	20kW	72(2x36)A	8 AWG per module	0.7	+	68°	54°	46°
EX200TC FS	20kW	72(2x36)A	8 AWG per module	0.7	+	68°	54°	46°
EX200TC ML	20kW	72(2x36)A	8 AWG per module	0.3	+	68°	54°	46°
CNL Models								
C EX144TC CNL	15kW	64A	6 AWG	0.7	68°	51°	41°	34°
C EX144TC S CNL	15kW	64A	6 AWG	0.7	68°	51°	41°	34°
C EX144TC FS CNL	15kW	64A	6 AWG	0.7	68°	51°	41°	34°
C EX144TC ML CNL	15kW	64A	6 AWG	0.3	68°	51°	41°	34°
C EX190TC CNL	19kW	80A	4 AWG	0.7	87°	65°	52°	43°
C EX190TC S CNL	19kW	80A	4 AWG	0.7	87°	65°	52°	43°
C EX190TC FS CNL	19kW	80A	4 AWG	0.7	87°	65°	52°	43°
C EX190TC ML CNL	19kW	80A	4 AWG	0.3	87°	65°	52°	43°
C EX1608TC CNL	16.6kW	80A	4 AWG	0.7	75°	57°	45°	38°
C EX1608TC S CNL	16.6kW	80A	4 AWG	0.7	75°	57°	45°	38°
C EX1608TC FS CNL	16.6kW	80A	4 AWG	0.7	75°	57°	45°	38°
C EX1608TC ML CNL	16.6kW	80A	4 AWG	0.3	75°	57°	45°	38°

* 240V units can be used on 208V single phase with 25% reduced temperature output. Please note per UL standards the rating plate and installation instructions will all be according to a 240V applied voltage. Check with local officials prior to derating the electrical infrastructure.

+ Temperature electrically limited to factory preset not-to-exceed temperature.

"C" indicates evaluation and compliance to either Underwriters Laboratories (UL) or Intertek (ETL) under CAN/CSA-C22.2 No. 64/No. 88. CNL SKUs are Canada specific.